



PROFESSIONAL

**CORDLESS CLIPPER
INSTRUCTIONS**

CORDLESS CLIPPER INSTRUCTIONS

Please read all instructions carefully to familiarise yourself with your new clipper before using.

Save these instructions for further reference.

For any further assistance or information call Customer Services on

T: 01227 740066

or visit

W: www.wahl.co.uk

E: customer.services@wahl.co.uk

CONTENTS

GENERAL USER INFORMATION	Page 3
IMPORTANT SAFEGUARDS	Page 4
PRODUCT DESCRIPTION	Model 8871 Page 9
TECHNICAL DATA	Model 8871 Page 9
OPERATING INSTRUCTIONS	Model 8871 Page 10
PRODUCT DESCRIPTION	Model 8877 Page 12
TECHNICAL DATA	Model 8877 Page 12
OPERATING INSTRUCTIONS	Model 8877 Page 14
CARE AND CLEANING	Page 17
WIRING	Page 19
LITHIUM BATTERY REPLACEMENT, REMOVAL AND DISPOSAL	Page 19
DISPOSAL	Page 20
GUARANTEE	Page 21
DECLARATION OF CONFORMITY	Page 22

CORDLESS CLIPPER INSTRUCTIONS

GENERAL USER INFORMATION

Information about using the operation manual

- ▶ Before using the appliance for the first time, you must read and understand the operation manual completely.
- ▶ Consider the operation manual as part of the product and store it in a safe and accessible place.
- ▶ Include this operation manual if passing the appliance on to a third party.
- ▶ In the case of conflicts with national safety specifications or instructions, the national requirements must be followed.

Explanation of symbols and notes



DANGER

Danger of electric shock which may result in serious physical injury or death.



DANGER

Danger of explosion which may result in serious physical injury or death.



WARNING

Warning of possible physical injury or a health risk.



CAUTION

Information about danger of material damage.



Note with useful information and tips.

- ▶ Action to be taken by owner.
1. Carry out these actions in the sequence described.
- List

CORDLESS CLIPPER INSTRUCTIONS

Please retain this leaflet for future reference.

READ ALL INSTRUCTIONS BEFORE USING.

IMPORTANT SAFEGUARDS

When using this electrical appliance, especially when children are present, basic safety precautions should always be observed including the following.

Requirements

- ▶ Read the instruction manual in full to familiarize yourself with the product before the first use.
- ▶ This appliance can be used by children from aged 14 years and above and persons with reduced physical, sensory or mental capabilities, or lack of experience and knowledge, if they have been given supervision or instruction concerning use of the appliance in a safe way and understand the hazards involved. Children shall not play with the appliance. Cleaning and user maintenance shall not be made by children without supervision.
- ▶ Use this appliance only for its intended purpose.

Hazards



Danger! Electric shock due to damage to appliance

- ▶ Do not operate the appliance with a broken cord, plug or charger, or if the appliance malfunctions, or

is dropped or damaged in anyway.

- ▶ Any servicing or repair must be performed by an authorized service representative.
- ▶ The use of attachments that are not supplied by the manufacturer may cause fire, electric shock or injury and damage to the appliance.



Danger! Electric shock due to penetration of liquid.

- ▶ To protect against risk of electrical shock, never immerse the unit or let it come into contact with water or any other liquids. Do not use the unit with wet hands. If the appliance should become wet, damp or fall in water, remove plug from mains socket immediately. Do not put your hands in the water. Do not take into bathroom.



Danger of explosion

- ▶ Never use the appliance where aerosol (spray) products are being used or where oxygen is released.
- ▶ Do not attempt to replace the battery. Lithium ion batteries may explode, catch fire and/or cause burns if they are dismantled, damaged or exposed to moisture and/or high temperatures.
- ▶ Do not expose the appliance to temperatures below 0°C and above +40°C for any length of time. Avoid direct exposure to sunlight.

CORDLESS CLIPPER INSTRUCTIONS



Warning! Injuries due to incorrect handling

- ▶ Switch off the appliance and unplug from outlet when not in use, before putting on or taking off attachments and also before cleaning the appliance.
- ▶ Never use your appliance without paying attention! Except when charging always unplug this appliance from the electricity outlet immediately after using.
- ▶ Exhausted batteries/ rechargeable batteries. should not be disposed of in the household waste. Dispose of them in a completely discharged state in accordance with local legal regulations. Do not throw into fire where heat could cause them to rupture.

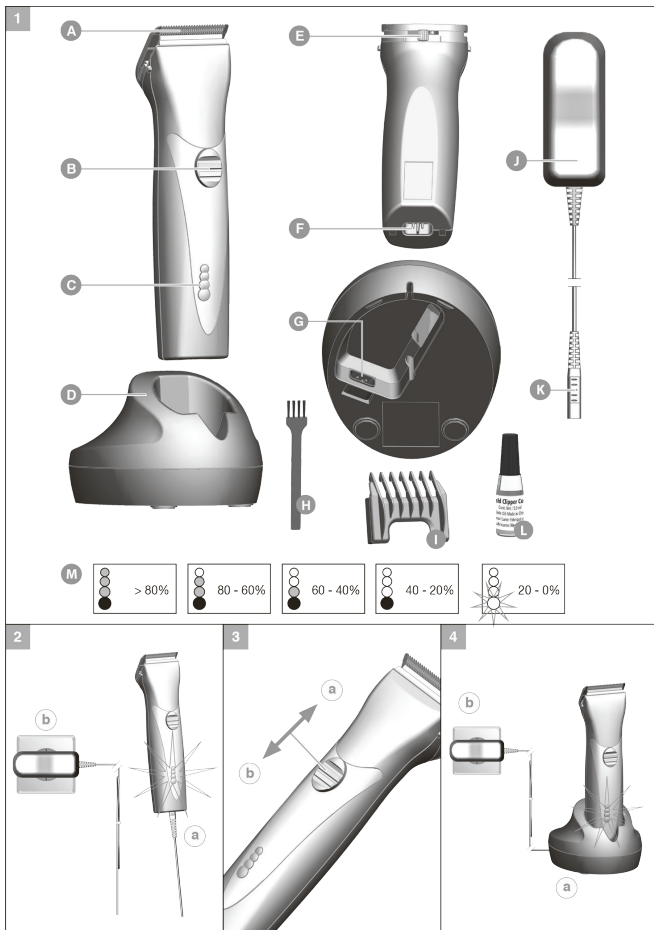


Caution! Danger of product damage

- ▶ Do not wrap the cord around the appliance / charger.
- ▶ Do not use outdoors or in damp areas.
- ▶ Never carry the unit by its power cord.
- ▶ Do not drop or insert any object into any opening.

CORDLESS CLIPPER INSTRUCTIONS

CORDLESS CLIPPER INSTRUCTIONS



CORDLESS CLIPPER INSTRUCTIONS

PRODUCT DESCRIPTION MODEL 8871

Description of parts (Fig. 1)

- A** Blade set
- B** On/off switch
- C** Battery power indicator
- D** Charging stand
- E** Cutting-length adjustment
- F** Appliance socket
- G** Charging stand socket
- H** Cleaning brush
- I** Attachment comb
- J** Plug-in transformer
- K** Appliance plug
- L** Oil for blade set
- M** Battery power indicator

TECHNICAL DATA

HAND-HELD APPLIANCE

Drive unit:	DC motor
Battery:	Li-ION battery (LiFePO ₄)
Battery operating time:	Up to 90 minutes
Dimensions (LxWxH):	178 x 46 x 50 mm
Weight:	Approx. 290 g
Emission sound pressure level:	Max. 63 dB(A) @ 25 cm
Vibration:	< 2.5 m/s ²

CHARGING STAND

Dimensions with accessories (LxWxH):	96 x 120 x 72 mm
Weight:	approx. 91 g

PLUG-IN TRANSFORMER

Type	Adapter 6000
Power consumption:	Max. 12 W
Operating voltage:	100 – 240 V / 50 – 60 Hz

The appliance is safety insulated and radio screened. It meets the requirements of EU Electromagnetic Compatibility Directive 2004/108/EC and Machinery Directive 2006/42/EC.

CORDLESS CLIPPER INSTRUCTIONS

OPERATING INSTRUCTIONS MODEL 8871

Keep the packaging for safe storage or transport later.

Check that the contents are complete.

Check all the parts for possible transport damage.

CHARGING THE BATTERY

1. Connect the appliance plug (K) on the plug-in transformer to the charging stand socket (G) (Fig. 4a).
 - The appliance can also be connected directly to the plug-in transformer for charging (Fig. 2a/b).
 - Intelligent charge management prevents the battery from overcharging
2. Connect the plug-in transformer to the mains socket (Fig. 4b).
3. Switch off the appliance using the on/off switch (Fig. 3b).
4. Place appliance on the charging stand (Fig. 4) or connect directly to the plug-in transformer (Fig. 2a/b). A signal will sound and the charging process begins.
 - Depending on the charge status, the corresponding segment of the battery power indicator will flash during the charging process. Once the battery is fully charged, all segments of the battery power indicator will remain lit continuously.
 - After the appliance has been removed from the charging stand, the display goes out after approx. 30 seconds (power saving mode).
 - It should take around 60 minutes for the appliance to charge to full capacity.
5. Once the battery is fully charged, a signal will sound.

BATTERY OPERATION

1. Switch on the appliance using the on/off switch and switch off after use (Fig. 3a/b).
 - After the appliance has been switched off, the display goes out about 30 seconds later (power saving mode).
 - When the battery is fully charged, the appliance can be used for up to 90 minutes without mains connection.
 - The charge status of the battery is displayed by the battery power indicator (M).
 - When the battery has fully run down, the appliance switches itself

CORDLESS CLIPPER INSTRUCTIONS

off automatically.

- In case of insufficient maintenance of the blade set, the operating time can be reduced considerably.

MAINS OPERATION

1. Connect the appliance plug (K) on the plug-in transformer to the appliance socket (F) (Fig. 2a).
2. Connect the plug-in transformer to the mains socket (Fig. 2b).
3. Switch on the appliance using the on/off switch and switch off after use (Fig. 3a/b).

AUTOMATIC SENSOR SYSTEM

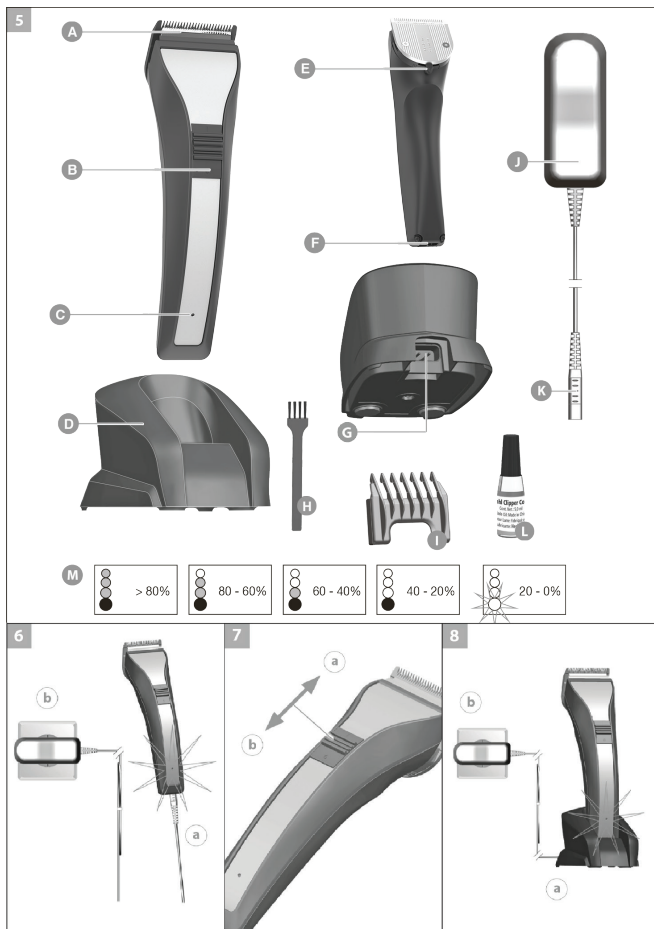
To give you advance notice of an urgent need for maintenance care, your hair cutting appliance has been equipped with an automatic sensor system.

The sensor system automatically recognises when the blade set needs oiling or cleaning. After the appliance is switched off, an acoustic signal will sound and the battery power indicator will flash for 2 minutes. The acoustic signal and the flashing of the battery power indicator can be cancelled (turned off) by briefly switching the appliance on and off.

Before using the appliance again, it is strongly recommended to clean the appliance and oil the blade set.

Failure to observe these instructions may result in damage to and early failure of the appliance, which will void all guarantee claims

CORDLESS CLIPPER INSTRUCTIONS



CORDLESS CLIPPER INSTRUCTIONS

PRODUCT DESCRIPTION MODEL 8877

Description of parts (Fig. 5)

- A** Blade set
- B** On/off switch
- C** Battery charge status indicator
- D** Charging stand
- E** Cutting length adjustment
- F** Appliance socket
- G** Charging stand socket
- H** Cleaning brush
- I** Attachment comb
- J** Plug-in transformer
- K** Appliance plug
- L** Oil for blade set

* Attachment combs are optional accessories and can vary from model to model.

TECHNICAL DATA

HAND-HELD APPLIANCE

Drive:	DC motor
Battery:	Li-ION battery
Battery operating time:	Up to 120 minutes
Dimensions (LxWxH):	178 x 48 x 51 mm
Weight: approx.	275 g
Emission sound pressure level	Max. 63 dB(A) @ 25 cm
Vibration:	< 2.5 m/s ²

Charging stand

Dimensions with accessories (LxWxH):	67 x 89 x 59 mm
Weight: approx.	91 g

Plug-in transformer

Type	Adapter 6000
Power consumption:	max. 12 W
Operating voltage:	100 – 240 V / 50/60 Hz

The appliance is safety insulated and radio screened. It meets the requirements of EU Electromagnetic Compatibility Directive 2014/30/EU and Machinery Directive 2006/42/EC.

CORDLESS CLIPPER INSTRUCTIONS

OPERATING INSTRUCTIONS MODEL 8877

Keep the packaging for safe storage or transport later.

Check that the contents are complete.

Check all the parts for possible transport damage.

CHARGING THE BATTERY

1. Connect the appliance plug (Q) on the plug-in transformer to the charging stand socket (G) (Fig. 8a).
- The appliance can also be connected directly to the plug-in transformer for charging (Fig. 6a/b).
 - Intelligent charge management prevents the battery from overcharging.
2. Connect the plug-in transformer to the mains socket (Fig. 8b).
 3. Switch off the appliance using the on/off switch (Fig. 7b).
 4. Place appliance on the charging stand (Fig. 8) or connect directly to the plug-in transformer (Fig. 6a/b).
- During charging, the charging indicator (C) flashes green slowly. With a fully charged battery, the charging indicator is constantly green.
 - After the appliance has been removed from the charging stand, the display goes out after approx. 30 seconds (power saving mode).
 - It should take around 80 minutes for the appliance to charge to full capacity.

BATTERY OPERATION

1. Switch on the appliance using the on/off switch and switch off after use (Fig. 7a/b).
- After the appliance has been switched off, the display goes out about 15 seconds later (power saving mode).
 - When the battery is fully charged, the appliance can be used for up to 120 minutes without mains connection.
 - The charge status of the battery is displayed by the charge indicator (C):

constant green illumination	= 100 % – 20 %
rapid green blinking	= 20 % – 5 %
constant red illumination	= 5 % – 0 %

CORDLESS CLIPPER INSTRUCTIONS

- When the battery has fully run down, the appliance switches itself off automatically.
- In case of insufficient maintenance of the blade set, the operating time can be reduced considerably.

MAINS OPERATION

1. Connect the appliance plug (Q) on the plug-in transformer to the appliance socket (F) (Fig. 6a).
2. Connect the plug-in transformer to the mains socket (Fig. 6b).
3. Switch on the appliance using the on/off switch and switch off after use (Fig. 7a/b).

SETTING THE CUTTING LENGTH

The cutting length can be adjusted to between 0.7 mm and 3mm (5 possible positions) using the cutting-length adjustment integrated into the blade set (Fig. 9).

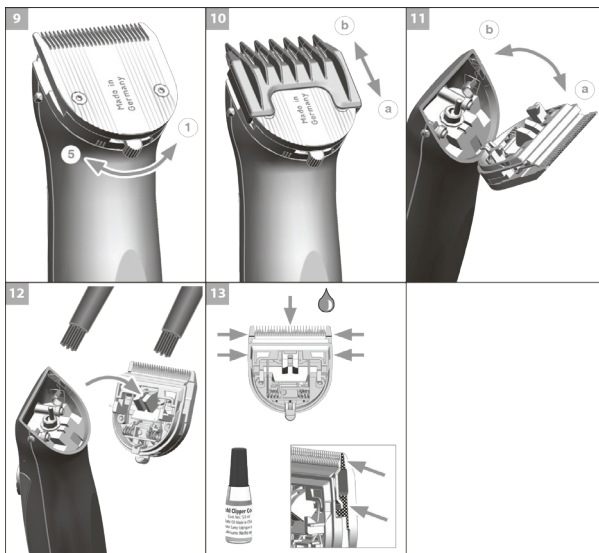
CUTTING WITH THE ATTACHMENT COMB

The appliance can also be operated with attachment combs. In order to achieve the indicated cutting length, the cutting length adjustment lever should be set to position 1 (Fig. 9). Attachment combs are optional accessories and can vary from model to model.

ATTACHING/REMOVING THE ATTACHMENT COMB

1. Slide the attachment comb on to the blade set in the direction of the arrow until it reaches the limit stop (Fig. 10a).
2. The attachment comb can be removed by pushing it in the direction of the arrow (Fig. 10b).

CORDLESS CLIPPER INSTRUCTIONS



CORDLESS CLIPPER INSTRUCTIONS

CARE AND CLEANING

Danger! Electric shock due to penetration of liquid.



- ▶ Switch the appliance off and disconnect from the power supply, before you start with cleaning and care.
- ▶ Do not immerse the appliance in water!
- ▶ Do not allow any liquid to get inside the appliance.
- ▶ Only reconnect the appliance to the power supply if it is completely dry.

Handle with care! Danger from aggressive chemicals.

Aggressive chemicals could damage the appliance and accessories.



- ▶ Never use solvents or scouring agents.
- ▶ Only use cleaning agents and blade set oil recommended by the manufacturer.

Hygienic spray and blade oil are available from your wholesaler or direct from our customer service.

Remove the attachment comb (Fig. 10b) after every use and lift the blade set out of the housing (Fig. 11a).

Use the cleaning brush to remove any cut hairs from the housing opening and from the blade set (Fig. 12). The cleaning lever can also be pressed. This allows the cut hairs that accumulate between the bottom blade and the top blade to be easily removed using the cleaning brush (EASY CLEANING).



- Only wipe the appliance with a soft, slightly damp cloth.
- The blade set can be cleaned by using the hygienic spray.
- Oil the blade set with the blade set oil (Fig. 13).

For a good and long-lasting cutting performance, it is important to oil the blade set frequently. If the cutting performance deteriorates after long use despite regular cleaning and oiling, the blade set should be replaced.

CORDLESS CLIPPER INSTRUCTIONS

CHANGING THE BLADE SET

Warning! Injuries and material damage due to incorrect handling.



- ▶ Switch the appliance off and disconnect from the power supply before changing the blade set.

1. Switch the appliance off using the on/off switch (Fig. 7b) and disconnect from the power supply.
2. Slide the blade set off the housing in the direction of the arrow (Fig. 11a). Remove the blade set.
3. Replace the blade set by hooking it into the housing and pressing it down until it clicks into position (Fig. 11b).

PROBLEM ELIMINATION

Blade set is cutting badly or pulling hair out.

Cause: Blade set is dirty or worn out.

- ▶ Clean and oil the blade set (Fig. 8/9); if this does not resolve the problem, replace the blade set (Fig. 7).

Battery life is too short.

Carefully clean and oil the blade set. A blade set that is very dirty and has not been oiled can halve the available battery life! If the blade set is clean and oiled and the battery life is still far too short, it is likely that the batteries are nearing the end of their life.

Battery life generally decreases at a steady rate when the appliance is used on a day-to-day basis. The batteries used here are specially designed for professional and everyday use, but are also affected by this.

Skin injury

Cause: Too much contact pressure on the skin.

- ▶ Reduce contact pressure when cutting close to skin.

Cause: Damaged blade set.

- ▶ Check whether the blade edges were damaged during use and replace the blade set if necessary.

CORDLESS CLIPPER INSTRUCTIONS

Battery power indicator light does not light up.

Cause: Appliance has not been correctly placed on the charging stand.

- ▶ Ensure that the hand-held appliance has been correctly placed on the charging stand.

Cause: Defective power supply.

- ▶ Ensure that the power supply unit is plugged into the mains socket.
- ▶ Check the mains cable for possible damage.
- ▶ Check the power supply.

Entire battery power indicator is flashing

- ▶ Check whether the blade set is blocked and the blade is able to move. Switch the appliance on and off. If the entire display is flashing, please contact your specialist retailer or a WAHL service centre.

WIRING



WARNING: If the transformer is damaged it must be replaced.

This product must only be used with the transformer supplied. Should a replacement be required please contact Wahl Customer Services.

LITHIUM BATTERY REPLACEMENT, REMOVAL AND DISPOSAL



Lithium-Ion Battery Replacement

For battery replacement the entire, intact clipper or trimmer should be sent to: Wahl (UK) Ltd Customer Services (the address can be found on the reverse of this booklet) or taken to a suitably qualified professional. The battery should only be replaced by the original manufacturers spare, for safety reasons a substitute should not be used.

Do not attempt to remove the battery.

Lithium-Ion batteries can explode, catch fire, and/or cause burns if disassembled, damaged or exposed to water or high temperatures.

CORDLESS CLIPPER INSTRUCTIONS



Lithium Battery Disposal

Do not dispose of this product or the Lithium battery in the normal household waste.

The product should be returned to Wahl Customer Services where we offer a take back service or taken to a local collection facility where they will be dealt with safely and sent for the appropriate recycling.

DISPOSAL



Handle with care! Environmental damage in the case of incorrect disposal.

Correct disposal will ensure environmental protection and prevent any potentially harmful impacts on people and the environment.

Adhere to the relevant legal requirements when disposing of the appliance.

Information on the disposal of electrical and electronic appliances in the European Community:



Within the European Community, national regulations are specified for the disposal of electrical appliances, based on EU Waste Electrical and Electronic Equipment Directive 2002/96/EC (WEEE). In accordance with this, the appliance can no longer be disposed of with the local or domestic waste.

The appliance will be accepted free of charge by local collection points or recycling centres.

CORDLESS CLIPPER INSTRUCTIONS

GUARANTEE

This product is guaranteed against defects in material and workmanship for a period of one year from the date of original purchase or receipt as a gift.

Should this product become defective during the guarantee period, return it to the store of purchase together with your proof of purchase for repair or replacement.

Alternatively within the guarantee period you can return the product to Wahl (UK) Ltd who will repair any such defect or elect to replace the product or any part of it, without charge, provided that there is proof of purchase. Should a replacement be offered this will not extend the original guarantee period.

The guarantee becomes invalid in the case of misuse, alteration or repair by unauthorised persons.

This guarantee does not include blades, cables, shaver heads, foils and cutters etc which are consumable parts.

This guarantee in no way affects your rights under statutory law in the United Kingdom.

CORDLESS CLIPPER INSTRUCTIONS



Wahl Hungária Kft. • Barátság u. 2. • P.O. Box: 67 • H-9200 Mosonmagyaróvár, Hungary

EC DECLARATION OF CONFORMITY

We

WAHL Hungaria Kft.
Barátság u. 2.
H-9200 Mosonmagyaróvár
Hungary

declare under our sole responsibility that the product

Hair clippers / animal hair clippers type 1870, 1871, 1872, 1873 with AC/DC Adapter 6000

corresponds to the regulations of

2006/42/EC	Machinery Directive including amendments
2014/30/EC	Electromagnetic Compatibility Directive including amendments
2009/125/EC	Ecodesign Directive / 2013-08-23
2011/65/EC	RoHS Directive / 2013-01-02

and corresponds to the national standards transposing the following harmonised standards.

EN 60 335-1:2012
EN 60 335-2-8:2003 + A1:2005 + A2:2008

EN 55 014-1:2006 + A1:2009 + A2:2011
EN 55 014-2:1997 + A1:2001 + A2:2008
EN 61 000-3-2:2006 + A1:2009 + A2:2009
EN 61 000-3-3:2008
EN 61 000-6-2:2005
EN 61 000-6-3:2007 + A1:2011

EN 62 233:2008

The conformity assessment follows Module A.

Year in which CE mark was affixed: 1999

Mosonmagyaróvár, 2014-07-23

Krisztián Szaszák
(Managing Director)

Unterkerimach, 2014-07-23

Responsible for the technical documentation
Heinrich Scher
(Manager R&D)

WAHL®

WAHL Hungaria Kft.
Barátság u. 2
H-9200 Mosonmagyaróvár
Hungary
Telefon: +36 96 214 243
Telefax: +36 96 578 229

MOSER®

www.wahl.hu
info@wahl.hu
Adószám: 11126878-2-08
EU VAT No: HU 11126878

ermila.



Bank: Kereskedelmi és Hitelbank Rt. Budapest
ESR száma: HU02 1040 8007 2471 8419 4884 0000
USD száma: HU11 1040 3332 8948 4855 5351 1015
SWIFT kód: KIBK3333
SWIFT kód: OKBHHUHH

CORDLESS CLIPPER INSTRUCTIONS

WAHL (UK) LTD
STERLING HOUSE
CLIPPER CLOSE
RAMSGATE, KENT
CT12 5GG

CUSTOMER SERVICES T: 01227 740066
www.wahl.co.uk

Form No. ZB878
Rev.3 01-19